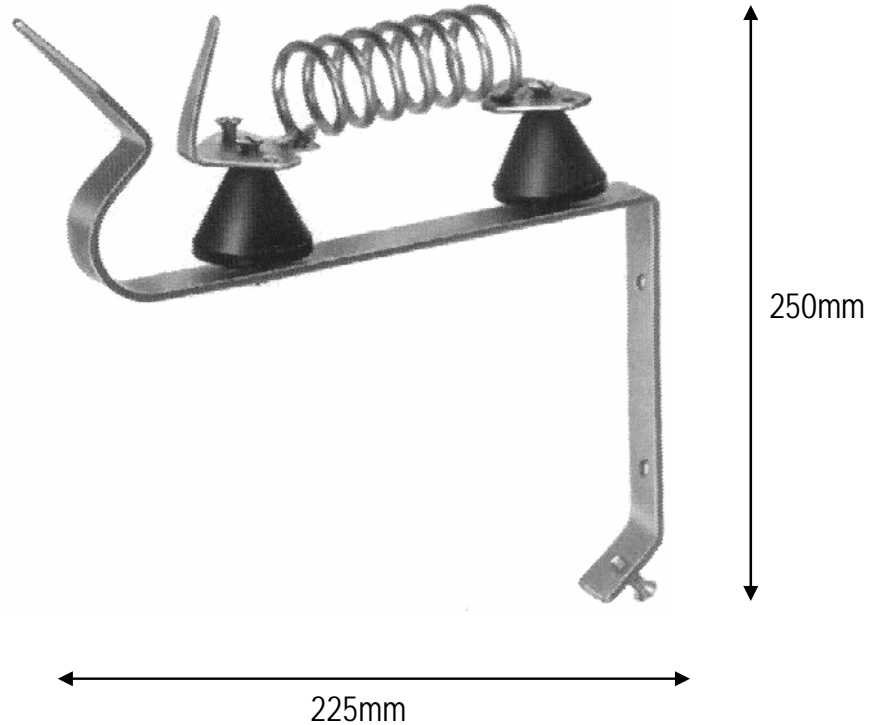




## Electro-Fence™ Lightening Arrestor

### FEATURES

The Electro – Fence Lightening Arrestor can be used to protect the fence from a lightening strike by diverting the lightening to ground.



### WIRING

The Lightning Arrestor should be mounted on the fence post at the start of the zone and connected to an earth stake using 6mm<sup>2</sup> cable. This connection should be kept as short as possible. The output from the controller is connected through the Lightning Arrestor to the fence.

ELECTRO-FENCE