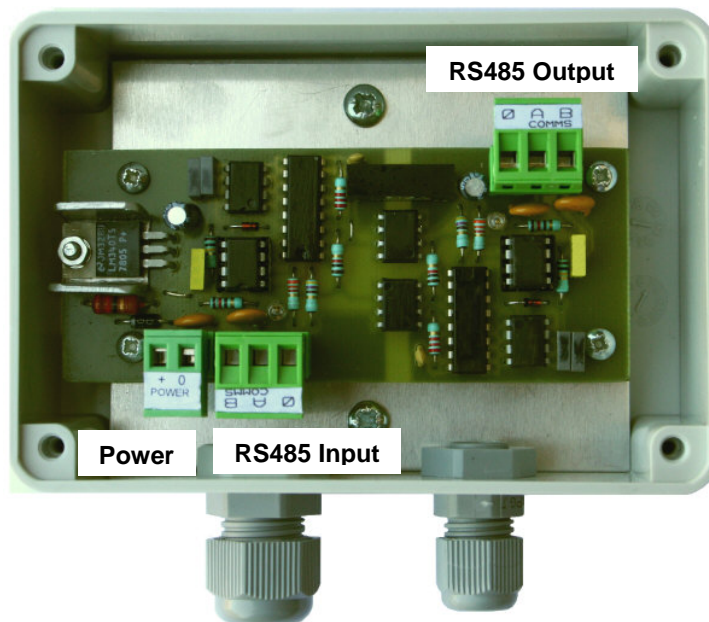


## RS485 Repeater

The MS501 is an optically isolated RS485 Repeater Unit and is used to extend the Multisys data link by an additional 1Km.

All the data, power and ground are isolated from one side of the repeater to the other.

The repeater can be powered from an Alarm Control Unit, Electro-Fence Controller, Flexiguard PSU or any 12VDC power supply.



## Specifications

Input/Output Data	RS485
Data Rate	9600 baud
Data Mode	Half Duplex
Power Supply	12 – 21VDC
Current Consumption	55Ma
Dimensions	125 x 85 60mm